

EasyPedestal

Is made to fixture any
collaborative robot brand



EasyRobotics[®]
- we move your parts

www.easyrobotics.biz

EasyPedestal

The Pedestal from EasyRobotics is made to fixture any collaborative robot brand. The construction is in **6 mm** thick powder coated steel with integrated cable trays. The pedestal is fixed to the ground with up to **8x8mm** screws in an industrial and stable design.

With the pedestal the robot arm can be maneuvered 360 degrees around the center of the pedestal.

The pedestal also contains a compartment for the controller unit to protect the critical parts from hazardous environment such as; oil, collision, etc. And also space for hosting other devices. The height of the pedestal from the ground is **925 mm** with a weight of **70 kg**.

The Pedestal from EasyRobotics can be used either as individual or in combination with the standard **ProFeeder** or **ProFeeder Compact**.

COMPACT – save space at your factory floor by combining the EasyPedestal + the ProFeeder Compact – full solution at your hands!

STABILITY – our machines are created from solid metal, where durability is crucial when working with machine tools –tending applications.

STATE-OF –THE - ART DESIGN – our machines are carefully designed making sure flexibility it is important. In most cases, Considering infrastructure can be a headache to manufactures, our machines are made to “Fit” any working station.



Easy to use



Safety



Cost effective

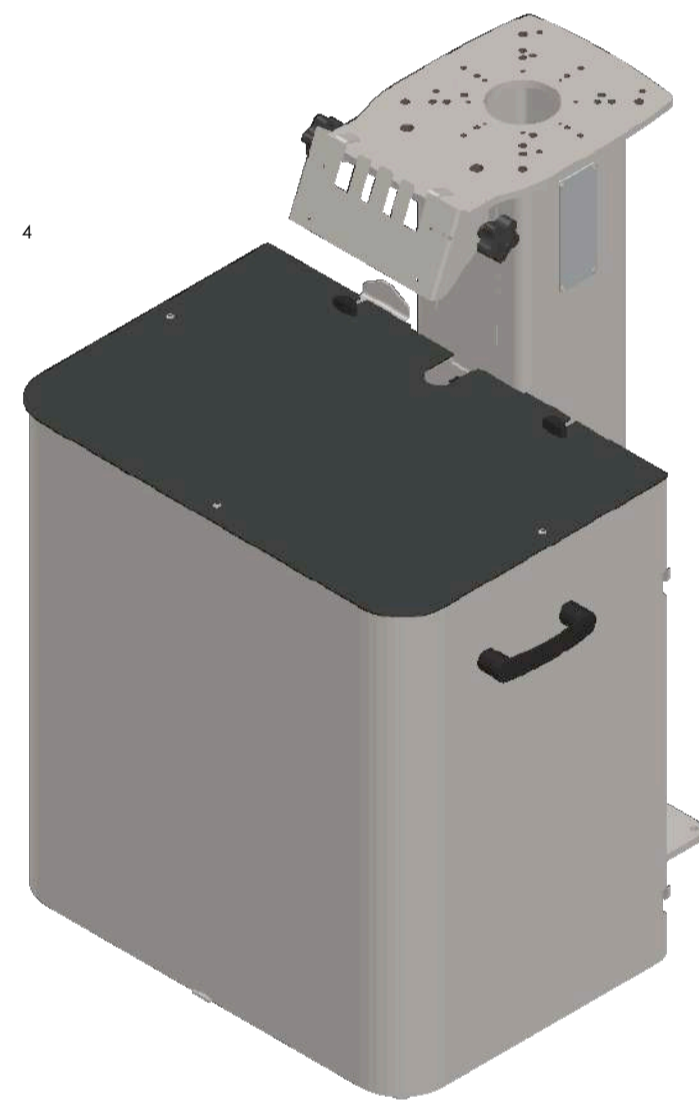
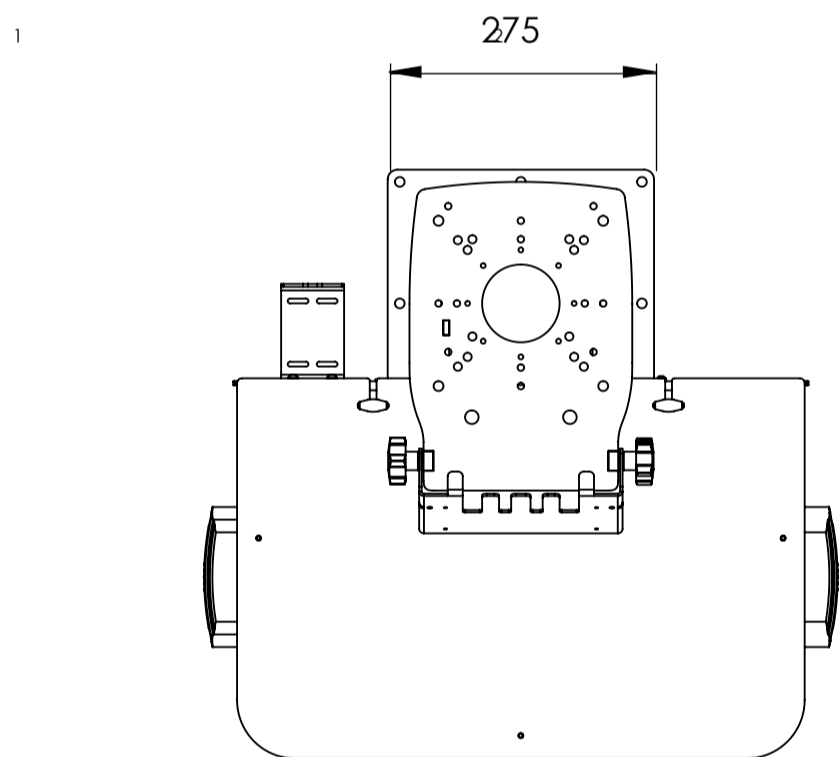
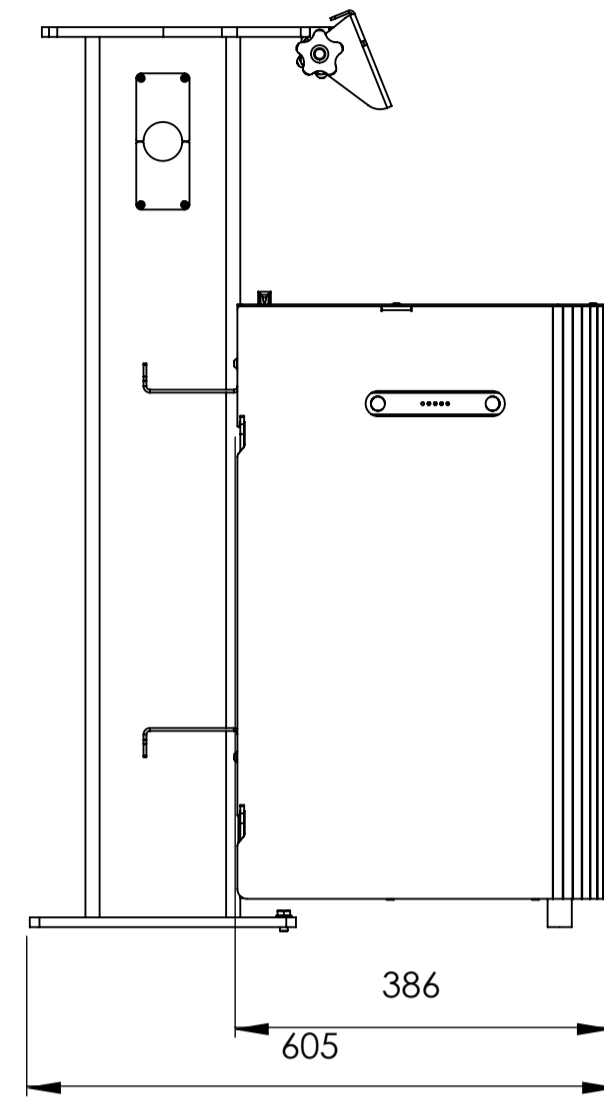
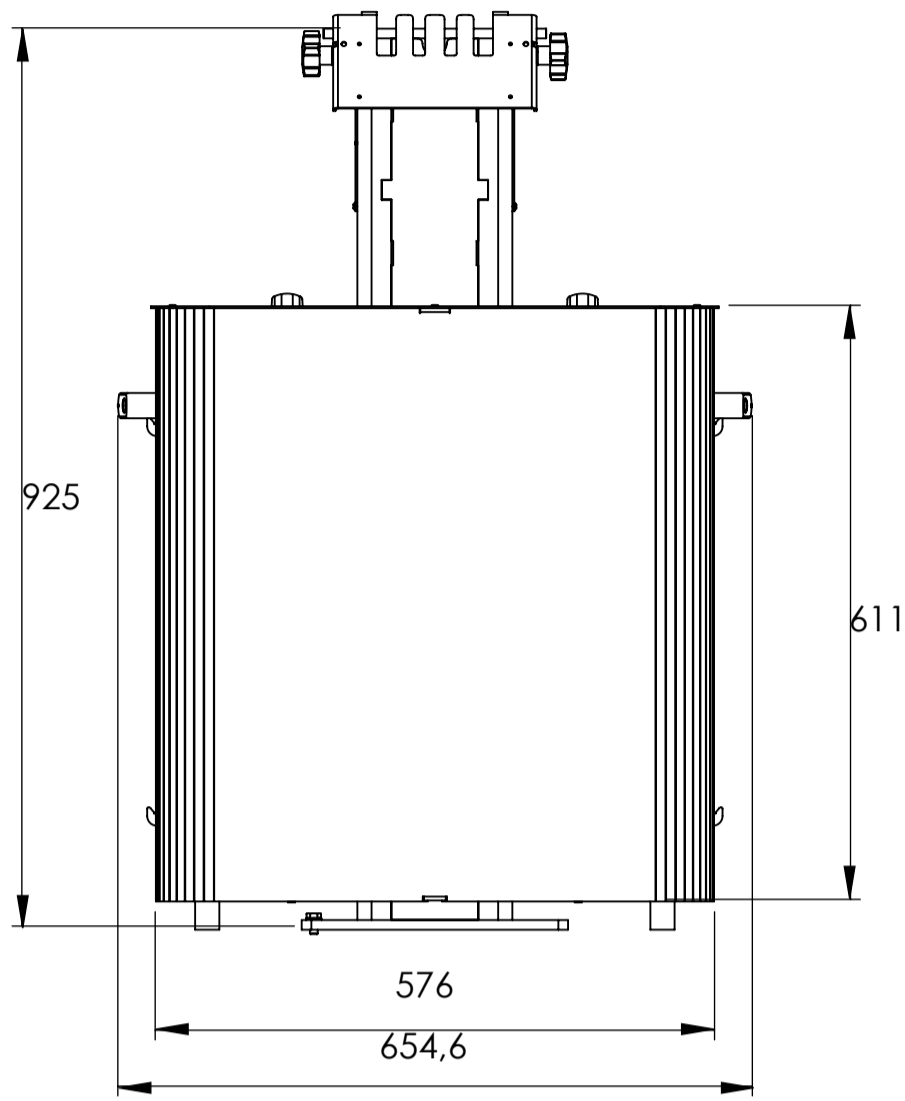


Easy installation



BENEFITS:

- ✓ Cable guidance feature
- ✓ Mount controller inside the EasyPedestal
- ✓ Easy and flexible feeding of CNC machines
- ✓ It's compatible with Cobots from Doosan, Hanwha, Kassow and UR
- ✓ Support different types of machines and it can be adapted to different workstations



products are illustrated with equipment not provided by EasyRobotics. EasyRobotics ApS reserves the right to make changes and accepts no liability for any printing errors.

Product order overview options

ER1005	Pedestal	Compartment for controller and TP bracket 925 mm with a weight of 70 kg
--------	----------	--



Danish manufacturer and supplier of robotic cells for all types of automation.



EasyRobotics ApS
 Mommarkvej 5
 DK-6400 Sønderborg
 Phone: +45 24 86 56 11
 info@easyrobotics.dk
www.easyrobotics.biz