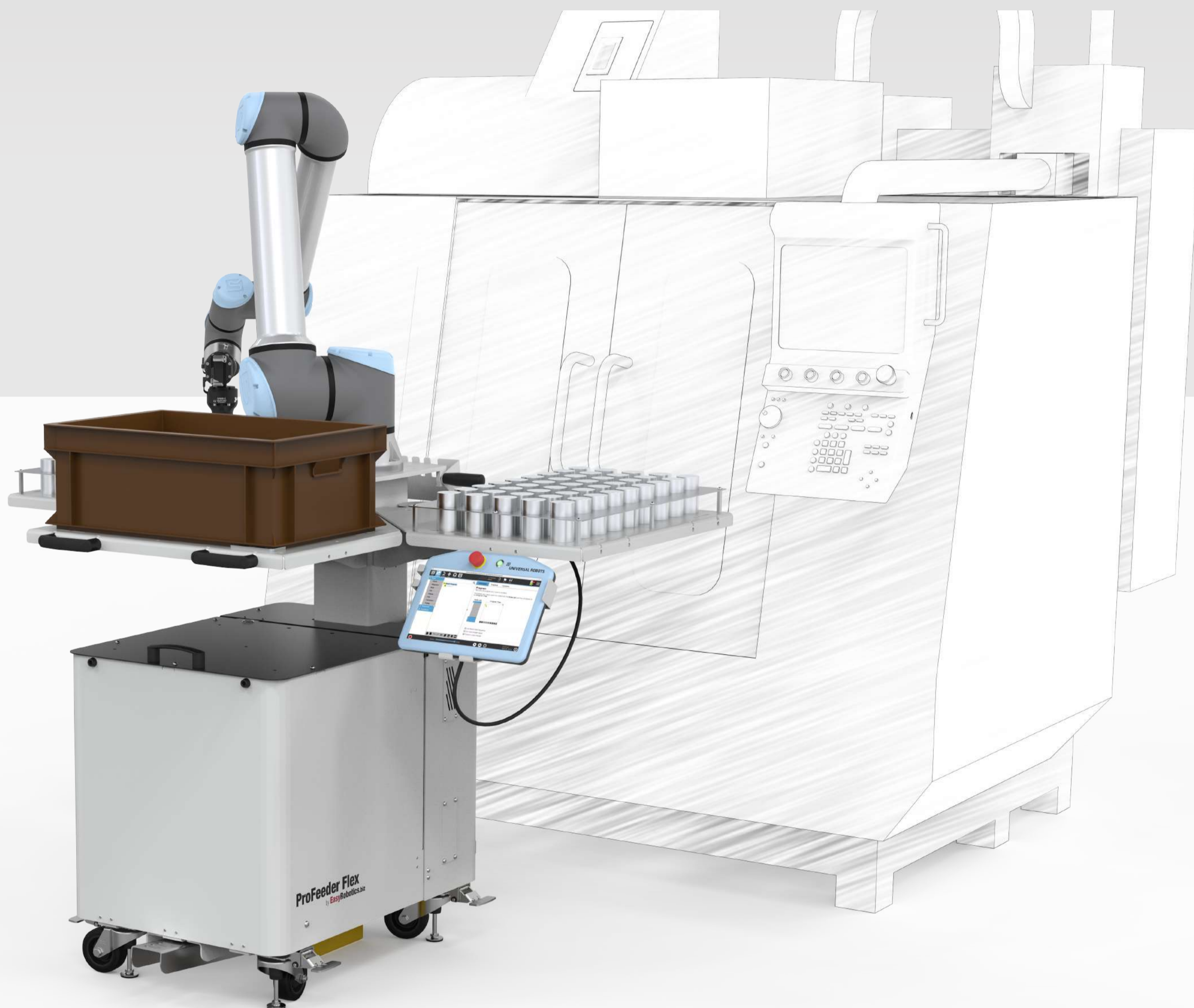


# ProFeeder Flex

Flexible and Maneuverable



**EasyRobotics**®  
- we move your parts

[www.easyrobotics.biz](http://www.easyrobotics.biz)

UP TO  
**3**  
TABLES

# ProFeeder Flex

**FOR EASY AND FLEXIBLE  
MANEUVERING AROUND  
THE PRODUCTION LINE.**

The new ProFeeder Flex is part of the PF family, and it comes with Heavy Duty wheels with integrated legs.

The ProFeeder Flex comes in three models:

- **FlexBase without tables**
- **FlexOne with one table**
- **FlexThree with three tables**

Pedestal placed centrally with in built cable guide.

Flexible mounting for the teach pendant, and free compartment for the controller.

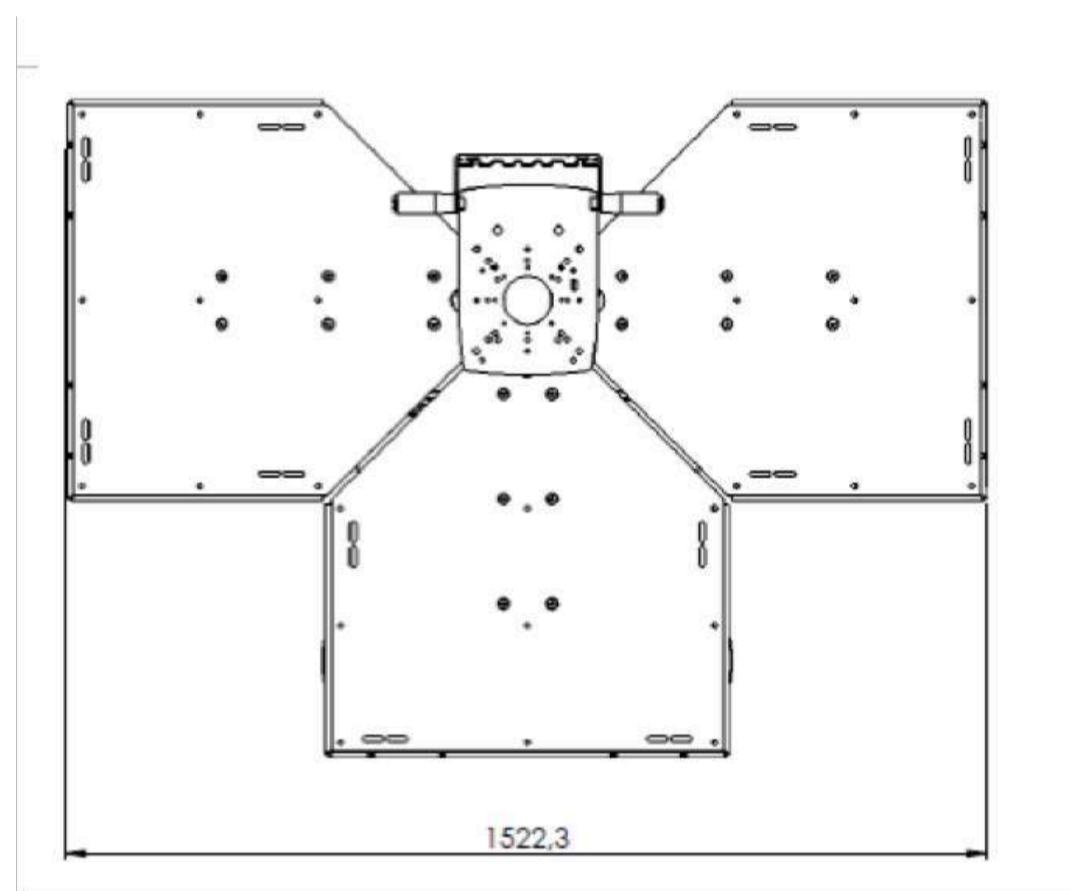
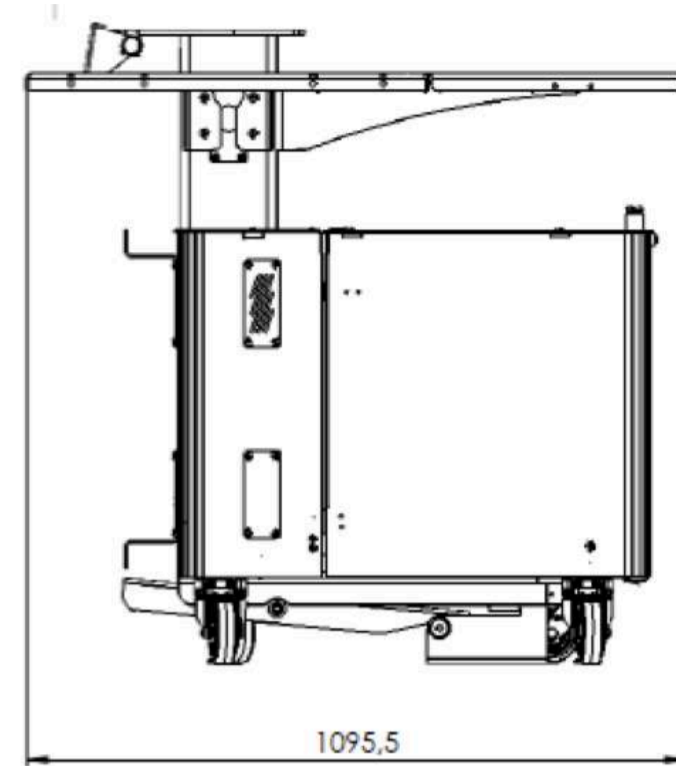
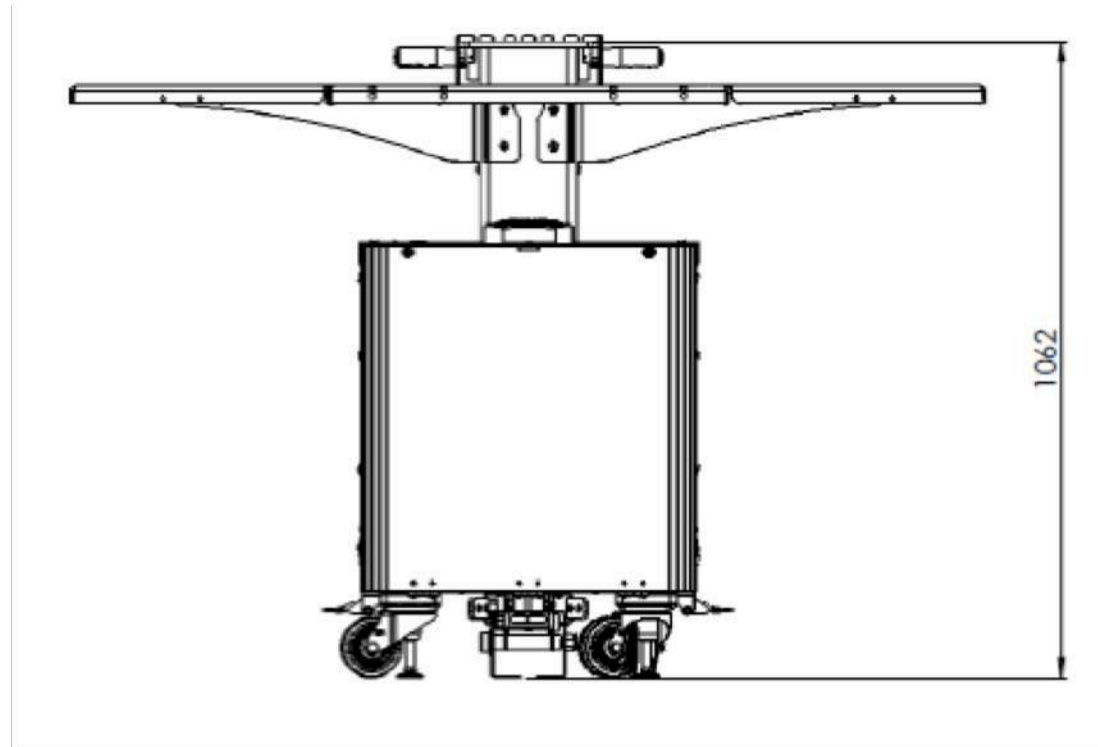


## **FLEXIBILITY AT YOUR FACTORY FLOOR**

### **Industries where you can use the ProFeederFlex:**

- ✓ Machine - Tending
- ✓ Cutting
- ✓ Finishing and Polishing
- ✓ Deburring
- ✓ Grinding
- ✓ Welding
- ✓ Electronics Industry
- ✓ Plastics Industry
- ✓ Pharmaceutical Industry
- ✓ Food Industry
- ✓ Assembly





RR201904 - The products are illustrated with equipment not provided by EasyRobotics. EasyRobotics ApS reserves the right to make changes and accepts no liability for any printing errors.

## Product order overview options

PFF1002	ProFeeder FlexBase	Weight 110 Kg Dimension L1000*W680*H1062mm.
PFF1002-1	ProFeeder FlexOne	With One table Weight 134 Kg Dimension L1000*W680*H1062mm.
PFF1002-3	ProFeeder FlexThree	With Three tables Weight 168 Kg Dimension L1096*W1522*H1062mm.

**EasyRobotics**  
- we move your parts

Danish manufacturer and supplier of robotic cells for all types of automation.



EasyRobotics ApS  
Mommarmvej 5  
DK-6400 Sønderborg  
Phone: +45 24 86 56 11  
info@easyrobotics.dk  
[www.easyrobotics.biz](http://www.easyrobotics.biz)  
[www.easyrobotics.dk](http://www.easyrobotics.dk)